

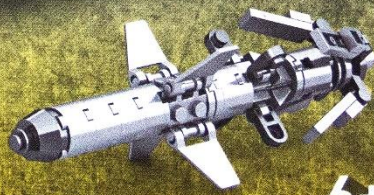
KB
Kids Bricks

KB 1111

ЗСУ



Що - має небо
Що - моя земля



6+ | 896

1

x2 x1 x2

按零件表分拣零件拼搭更快捷。
It's faster to sort and assemble pieces according to the piece list.

x2

x2表示该模块需要拼2个。
x2 means 2 modules like this are needed.

2

x1 x1 x1 x3 x1

通过此视图可更清晰的观察拼装位置噢。
This view enables you to see the assembly position more clearly.

3

x2 x1 x2

这是零件尺寸标识。1x10表示该零件宽度为1个积木颗粒，长度为10个积木颗粒。
This is the size mark of the piece. 1x10 means that the piece is 1 studwide and 10 studs long.

This is the step identifier, 4 for Step 4, the part that has been assembled

x2

4

x2 x1 x1

1

5

这是步骤标识，4表示第4步骤，已经拼装好的部件
This is the step identifier, 4 for Step 4, the part that has been assembled

4

6

x2 x2 x2

7

x2 x1 x1 x1

2

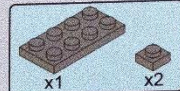
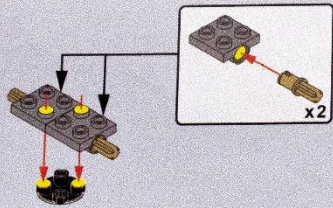
8

5

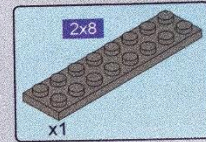
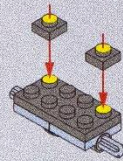
7



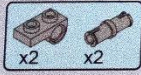
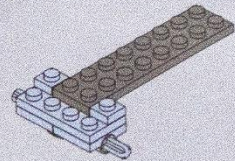
16



17



18

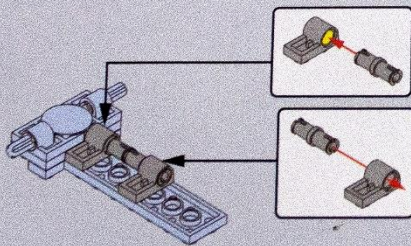


19



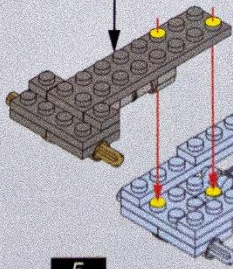
这是旋转标识，表示下方部件需要旋转方向。

This is the rotation mark, indicating that the lower part needs to rotate in the direction.



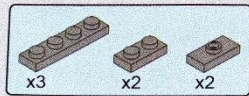
20

19

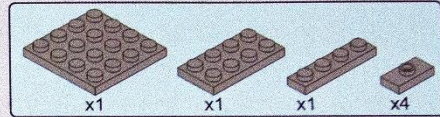
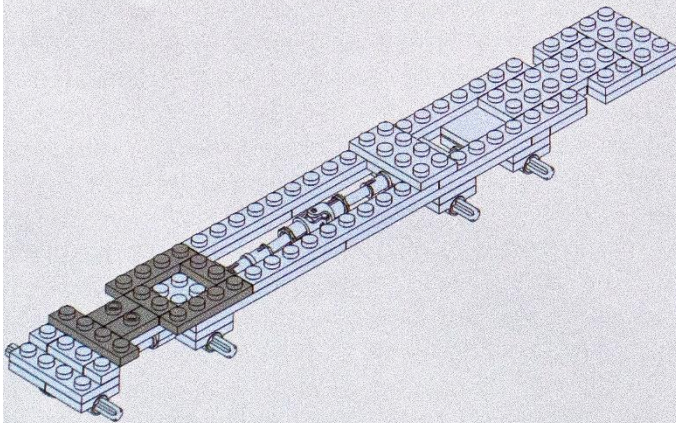


5

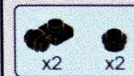
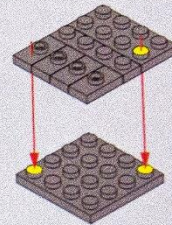
15



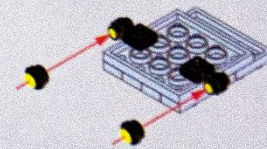
21



22

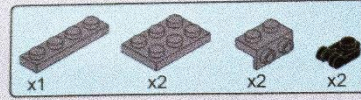


23

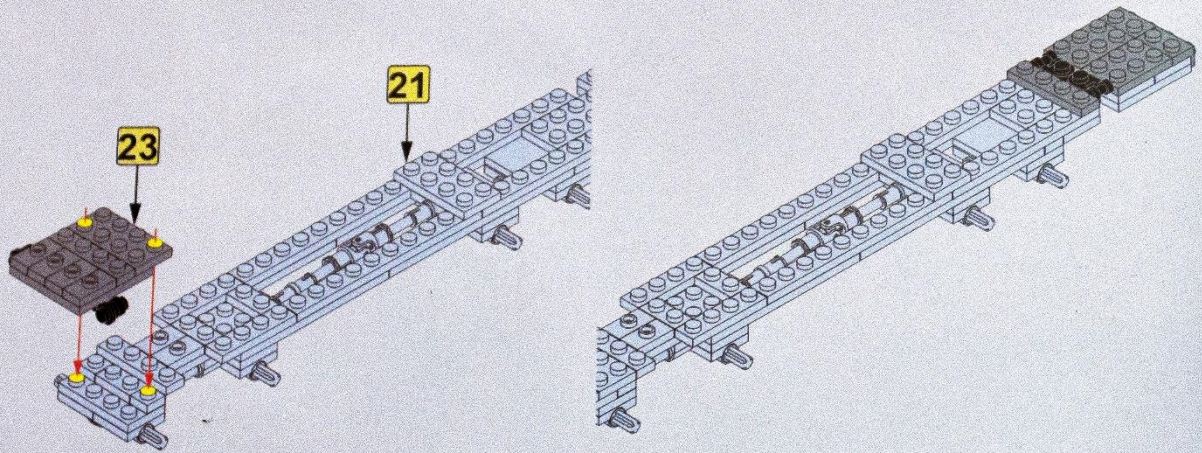


6

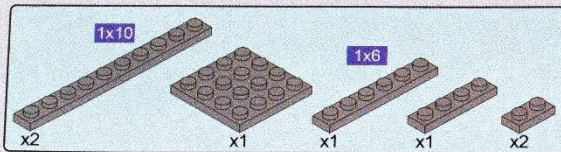
24



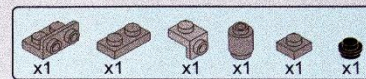
25



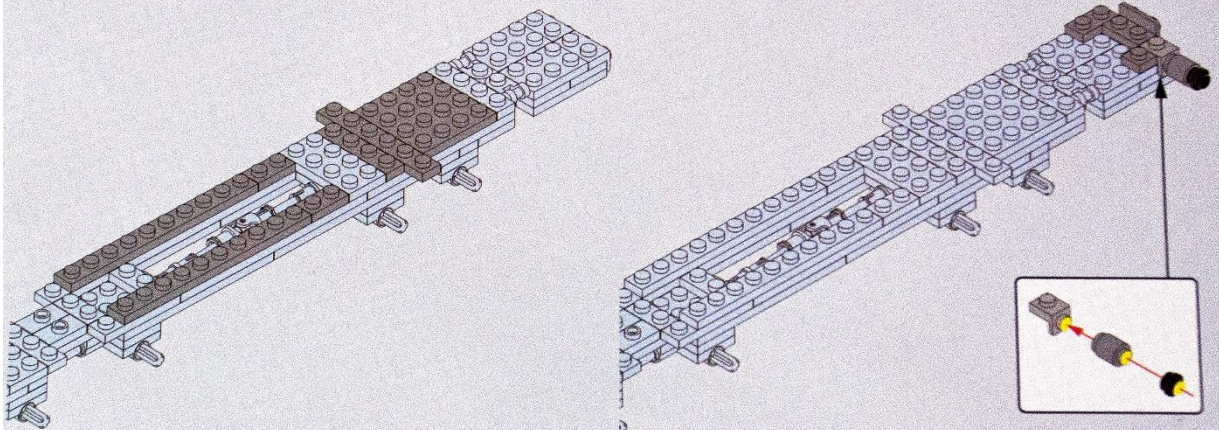
7



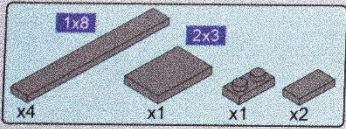
26



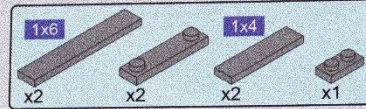
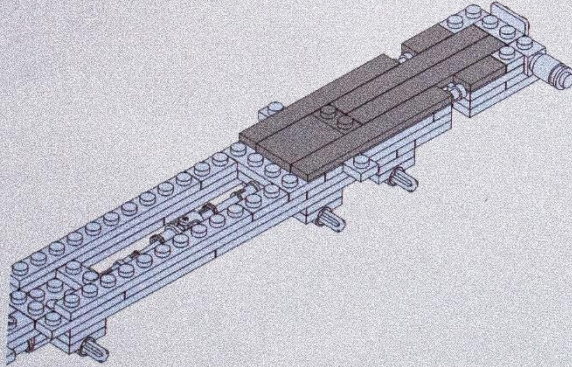
27



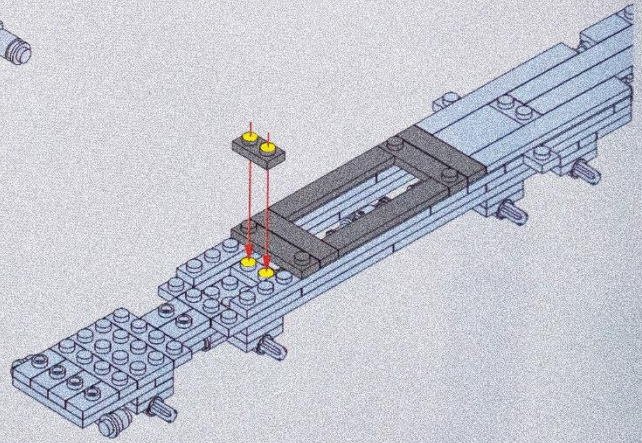
8



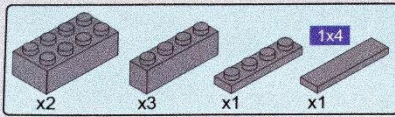
28



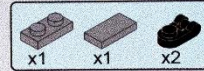
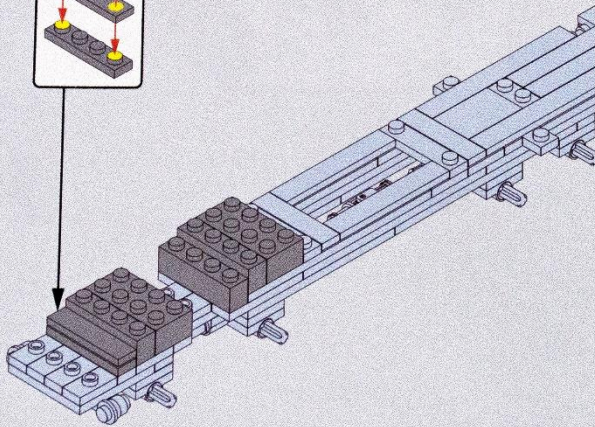
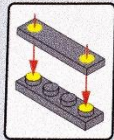
29



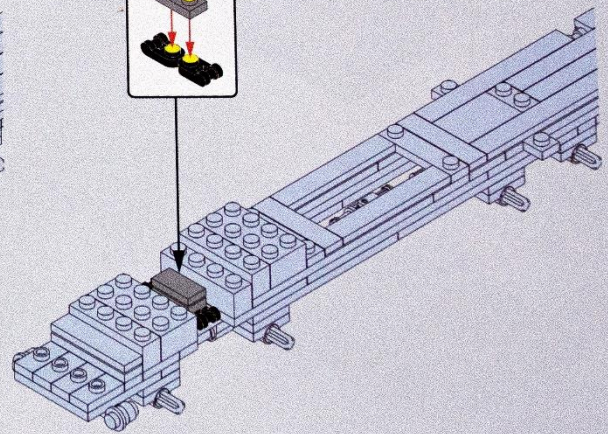
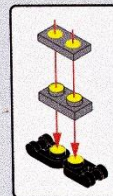
9



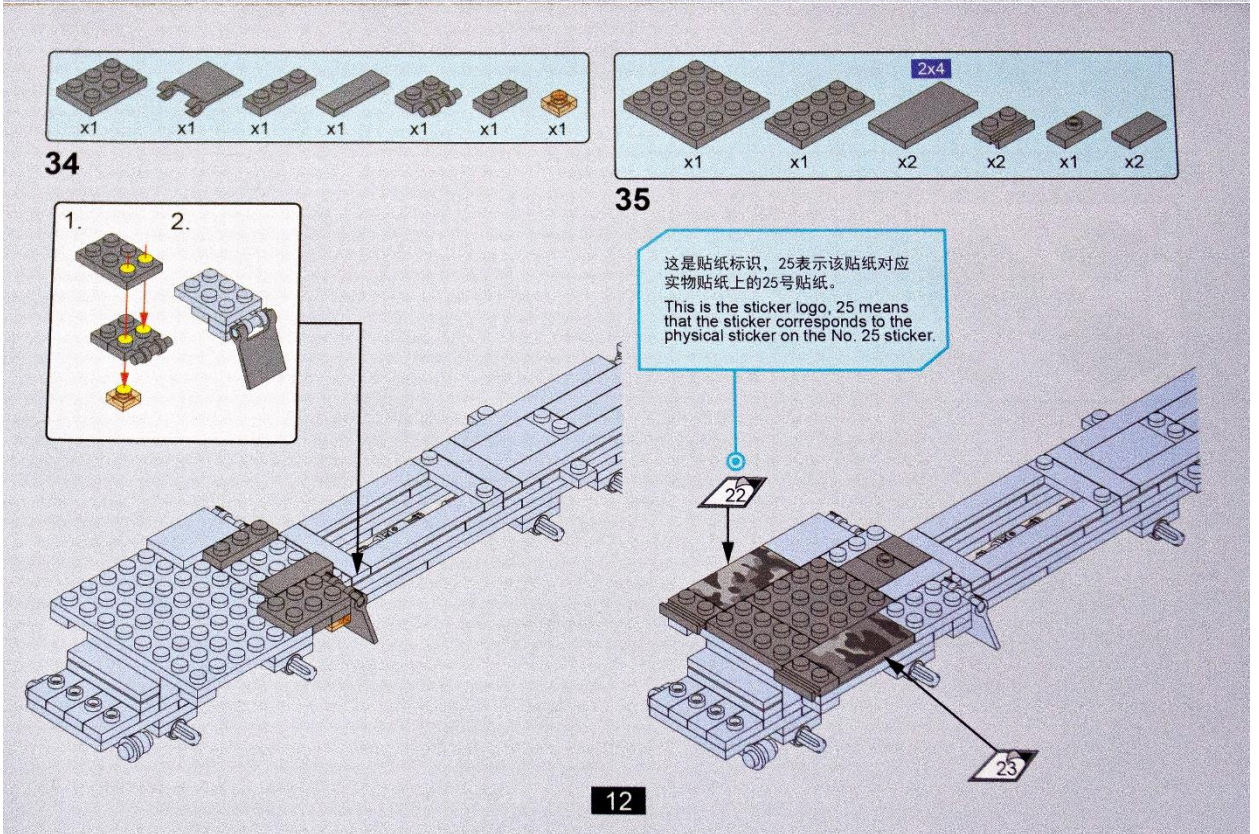
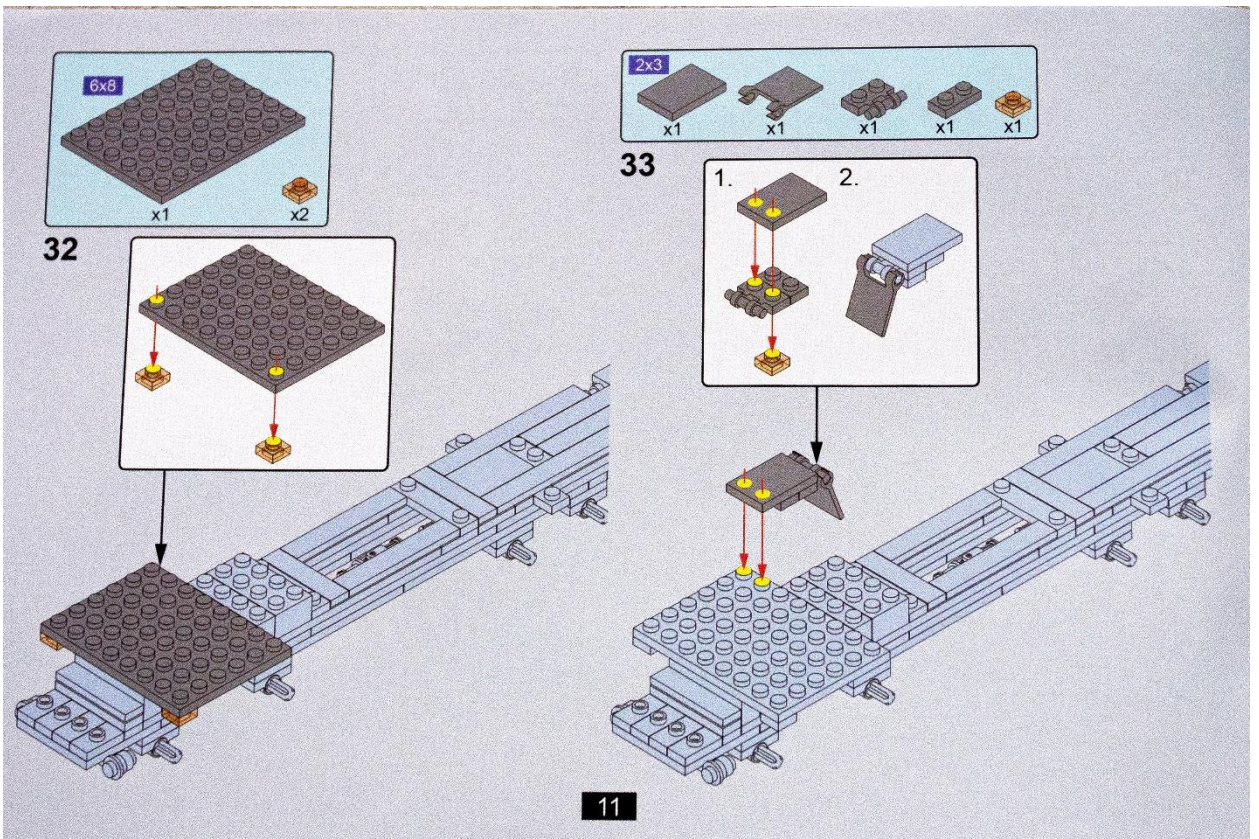
30

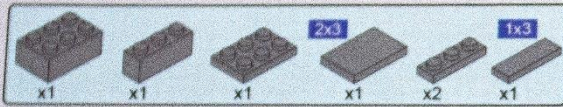


31

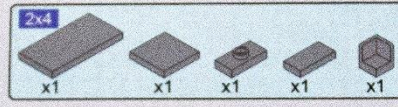
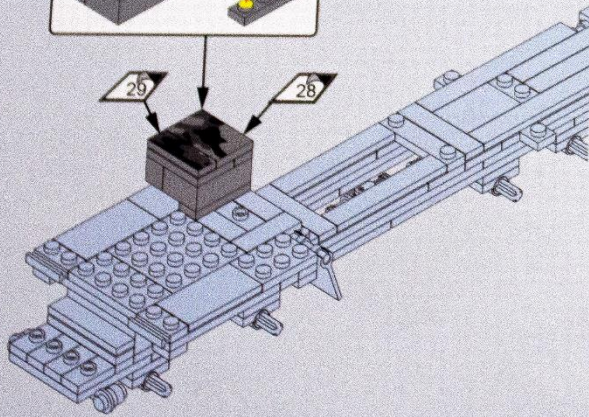
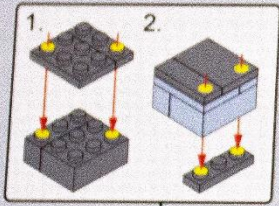


10

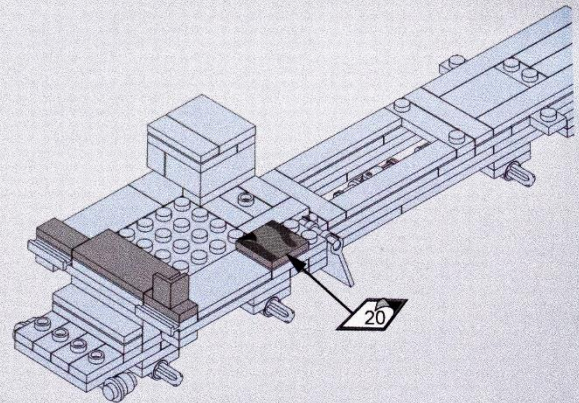




36



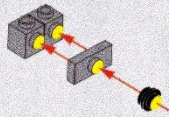
37



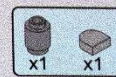
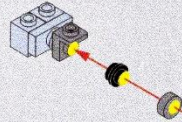
13



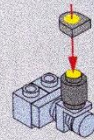
38



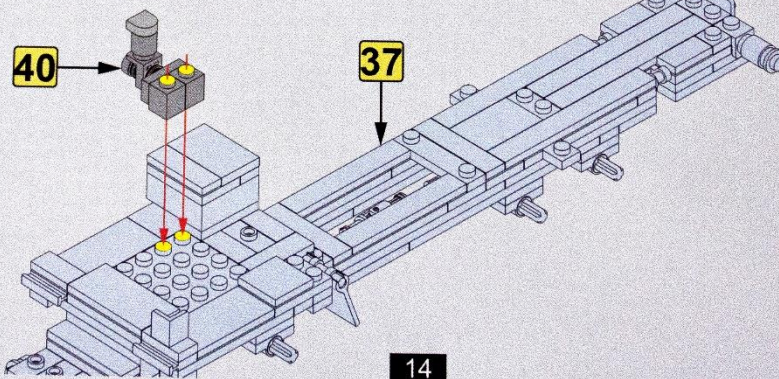
39



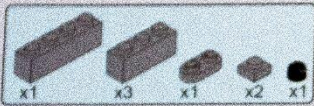
40



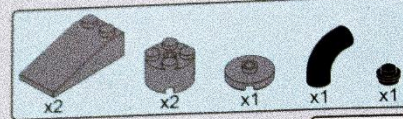
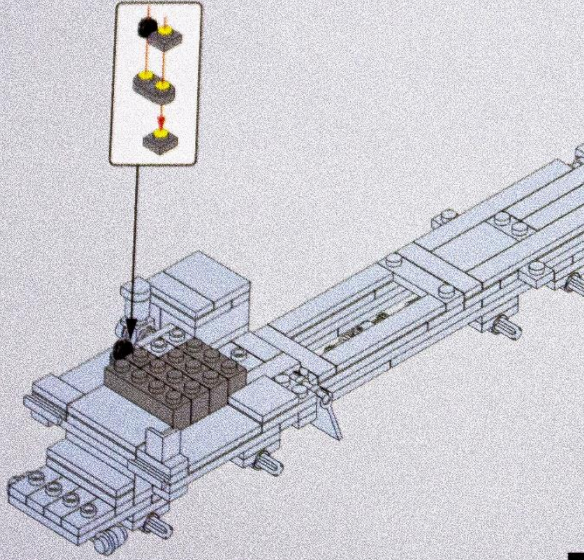
41



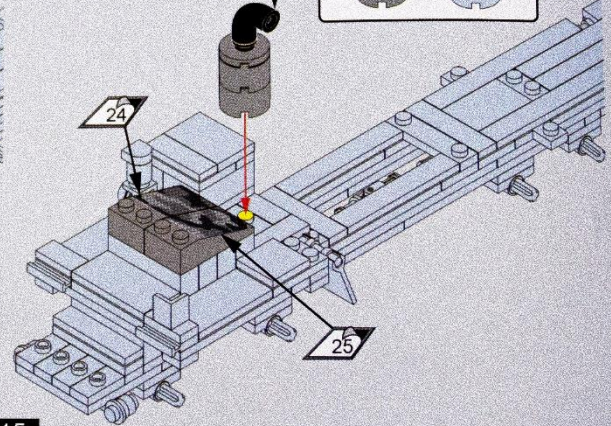
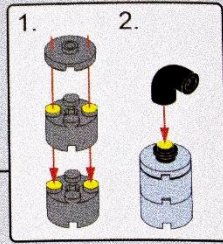
14



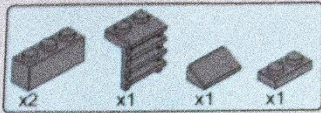
42



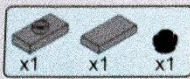
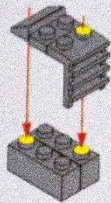
43



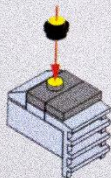
15



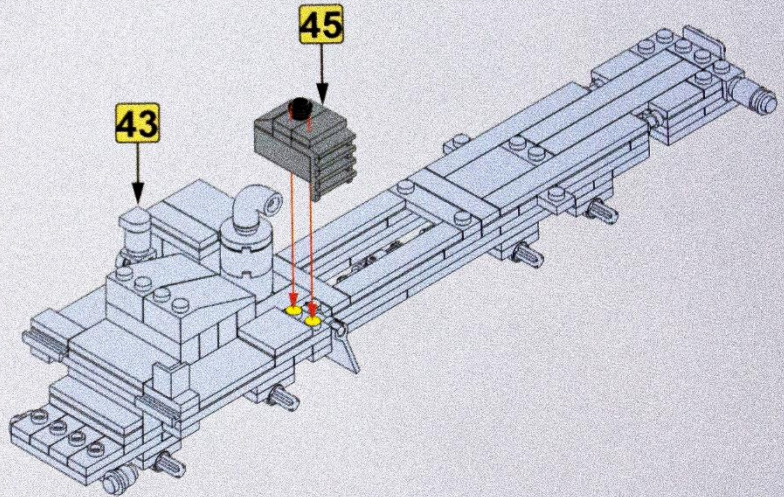
44



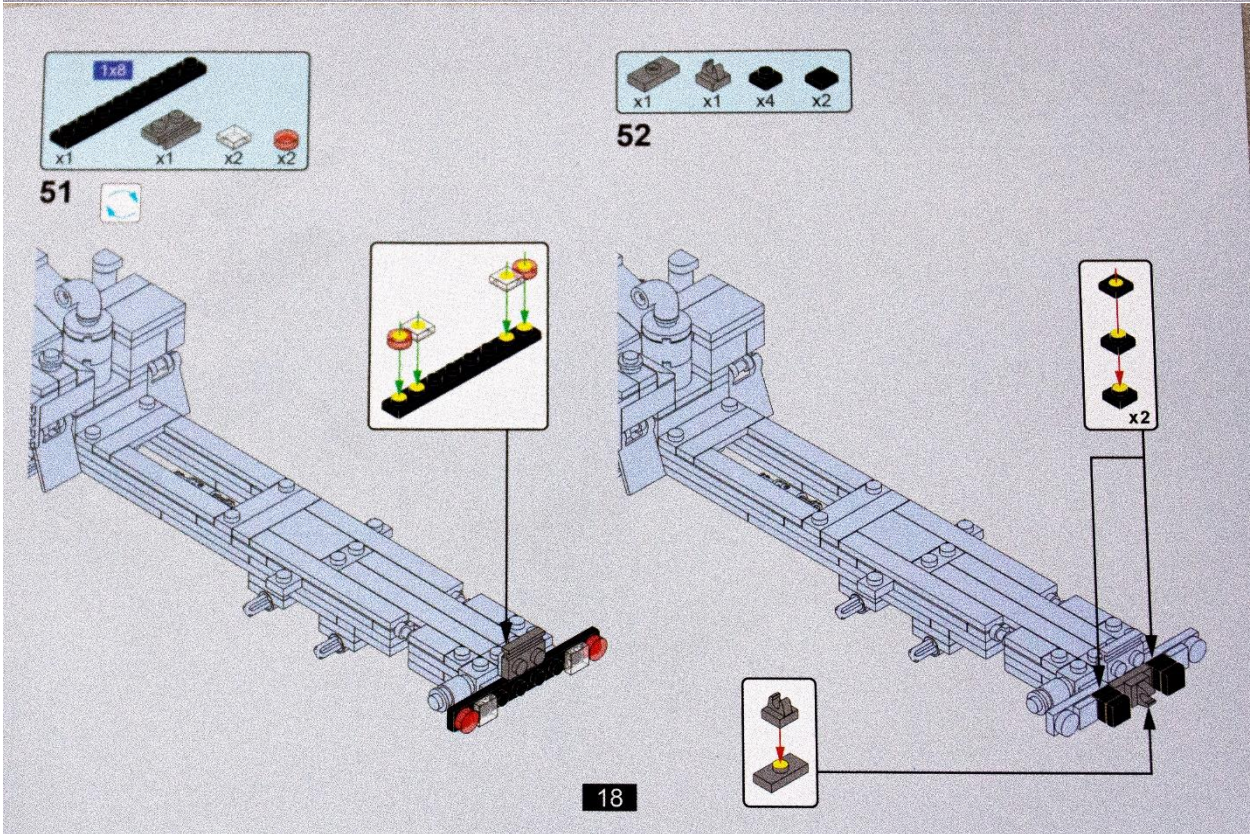
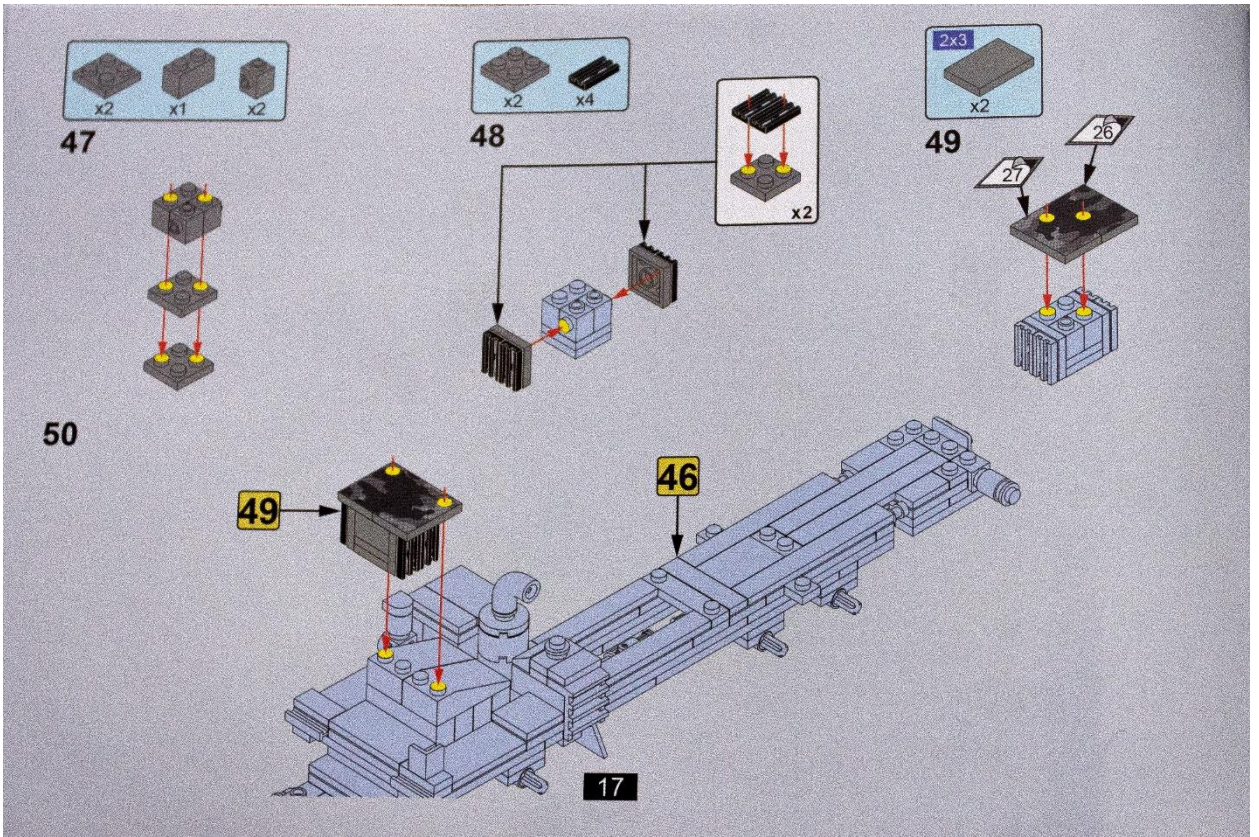
45



46

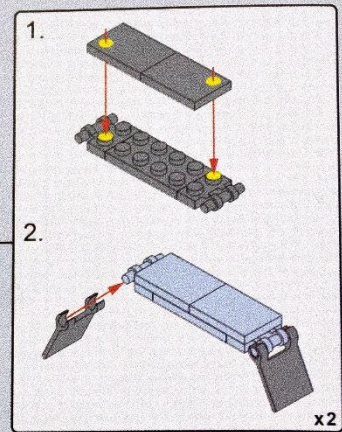
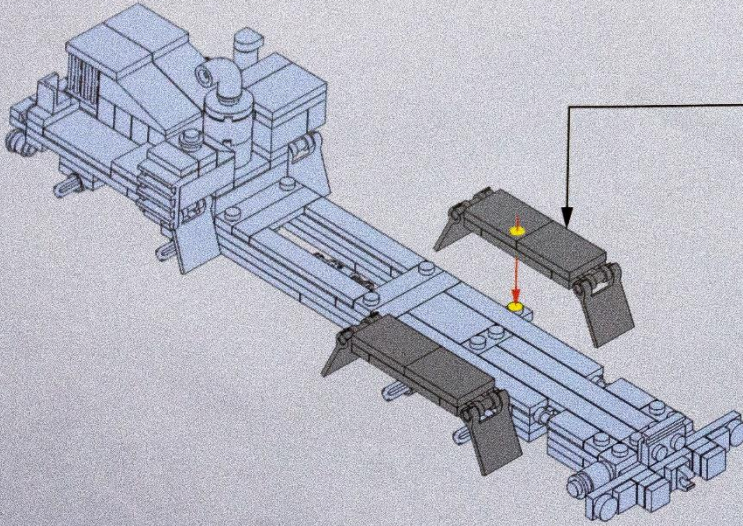


16





53



19



54

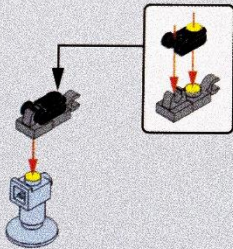


x4表示该模块需要拼4个。
x4 means 4 modules like this are needed.

x4

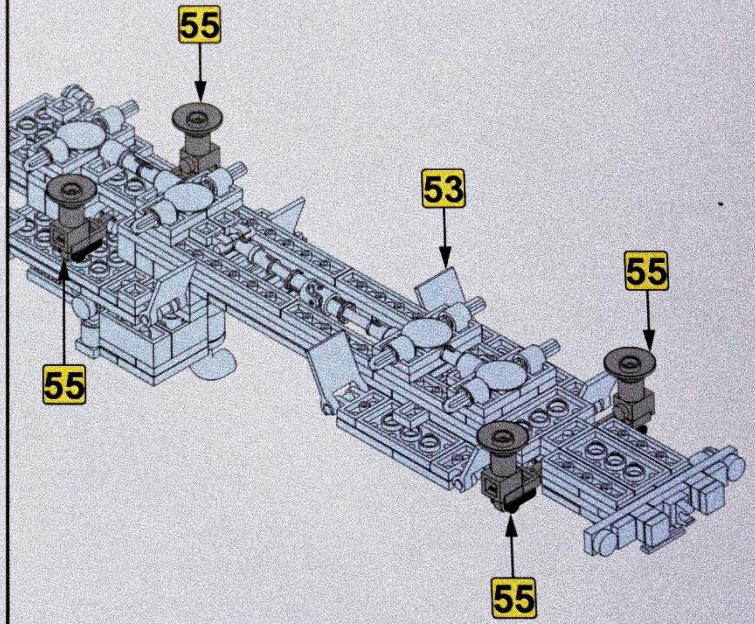


55



x4

56



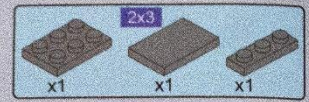
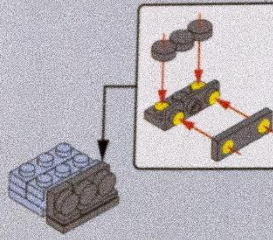
20



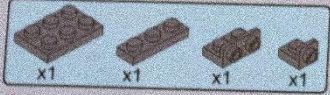
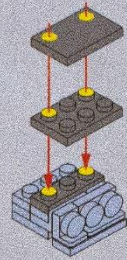
57



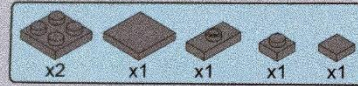
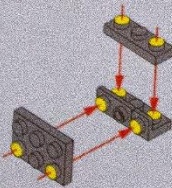
58



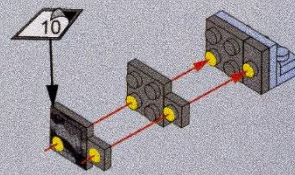
59



60

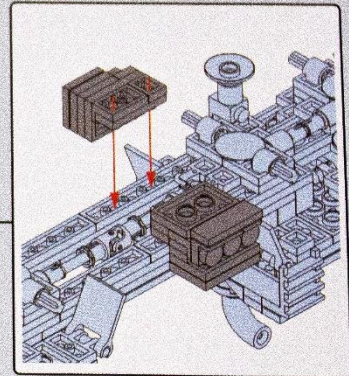
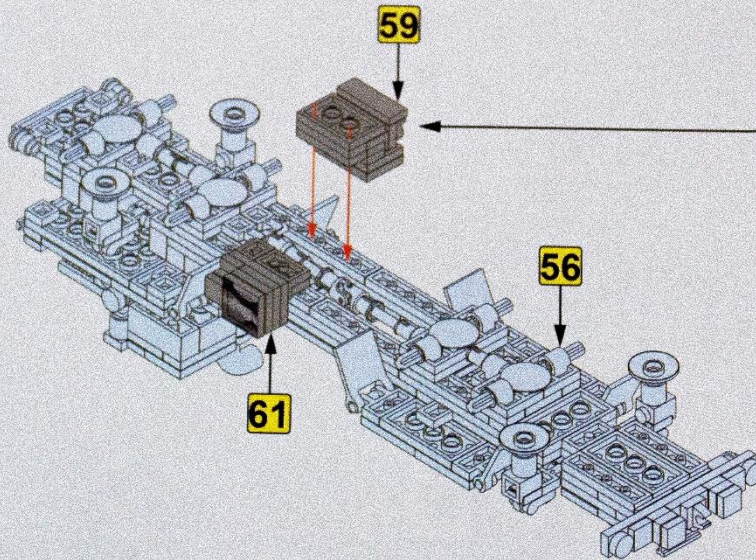


61



21

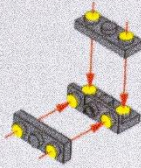
62



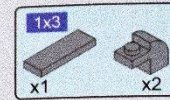
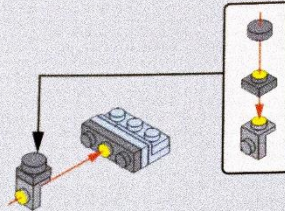
22



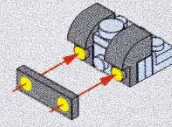
63



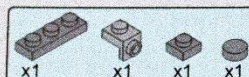
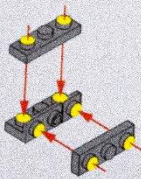
64



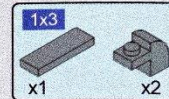
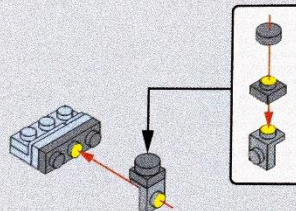
65



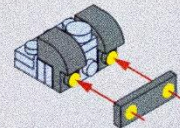
66



67

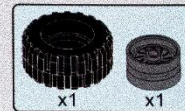
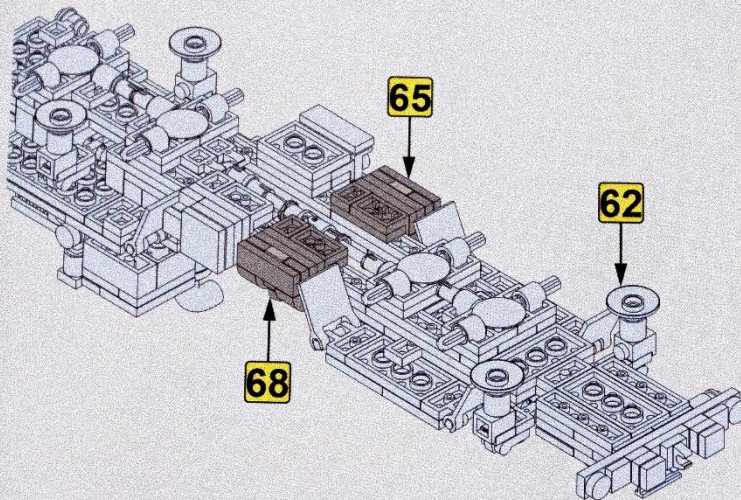


68

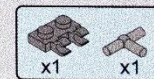


23

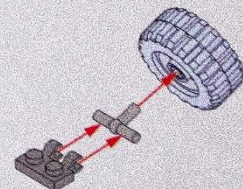
69



70

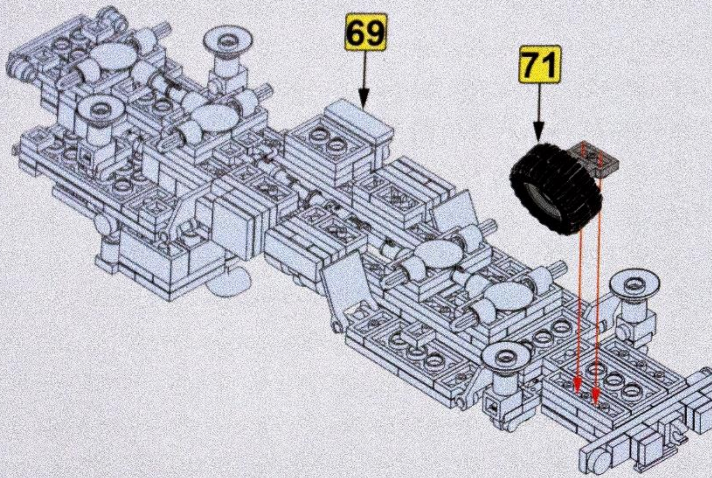


71

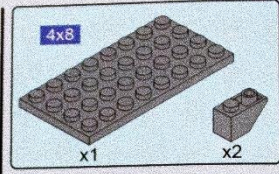


24

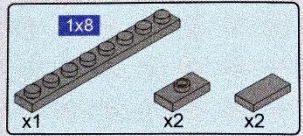
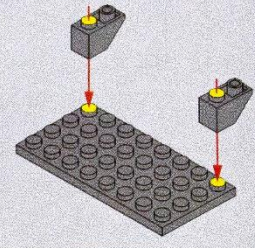
72



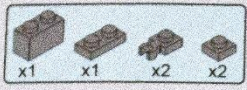
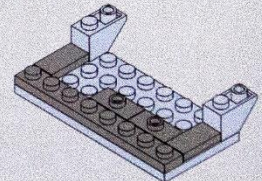
25



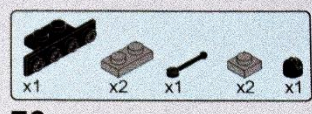
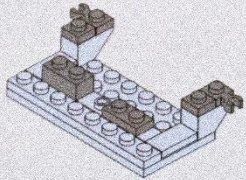
73



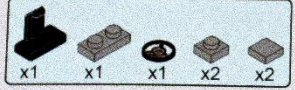
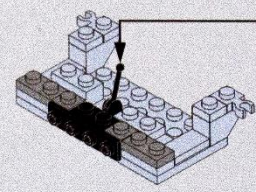
74



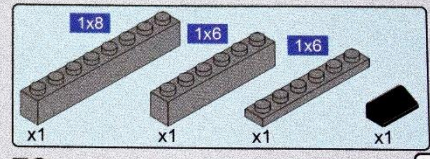
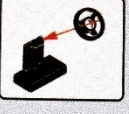
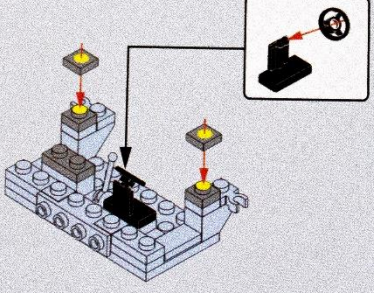
75



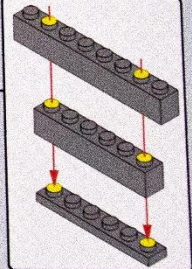
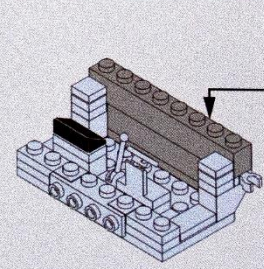
76



77



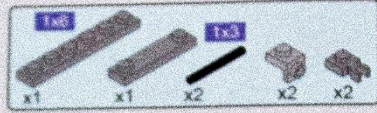
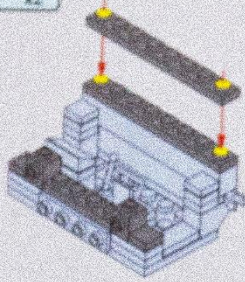
78



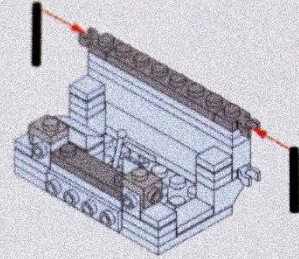
26



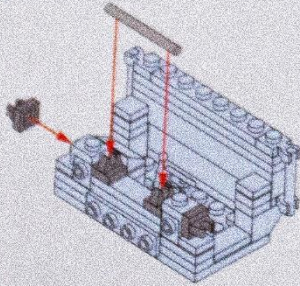
79



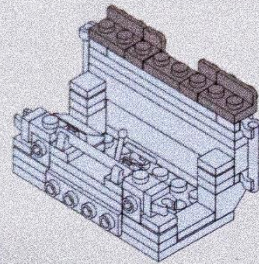
80



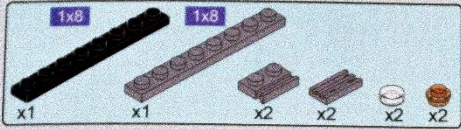
81



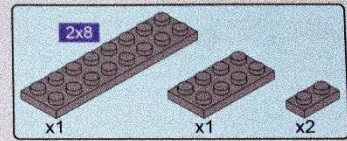
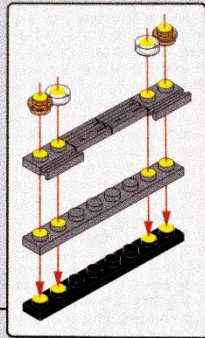
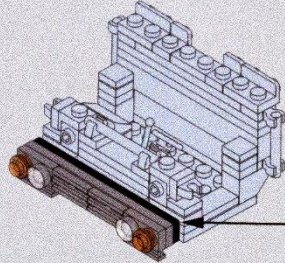
82



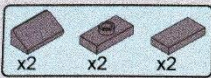
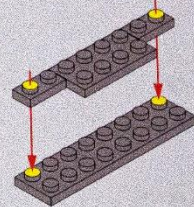
27



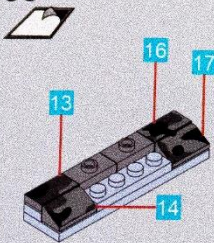
83



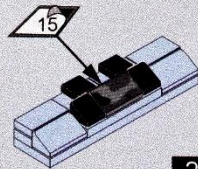
84



85

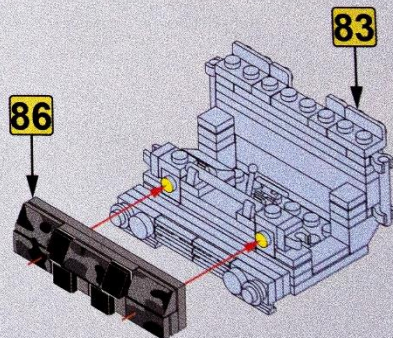


86



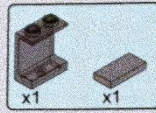
28

87

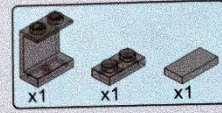




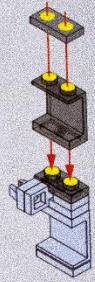
88



89



90

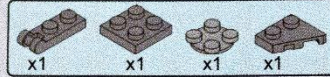
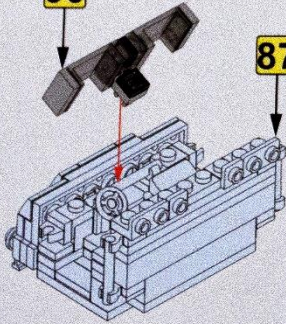


91

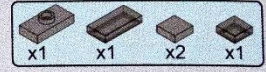


90

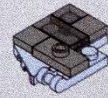
87



92



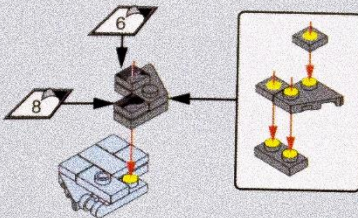
93



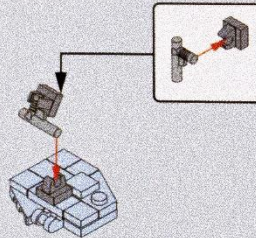
29



94



95

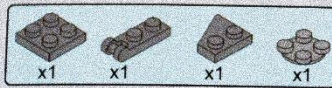
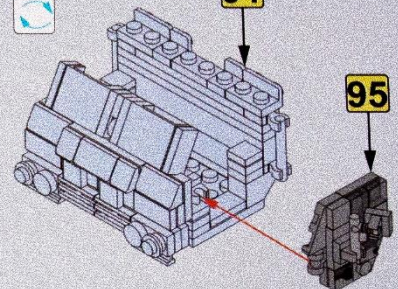


96

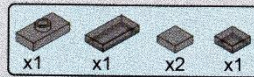


91

95



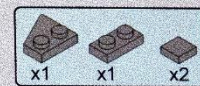
97



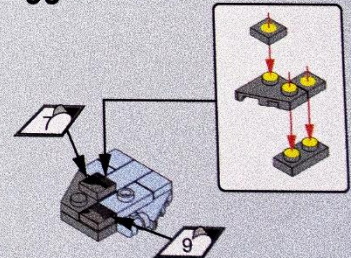
98



30

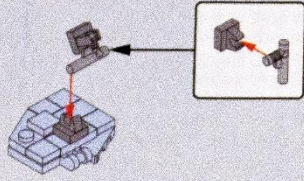


99





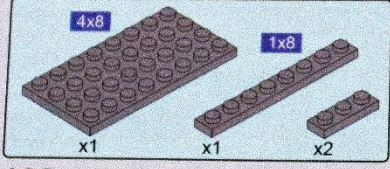
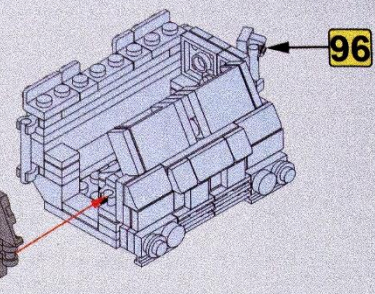
100



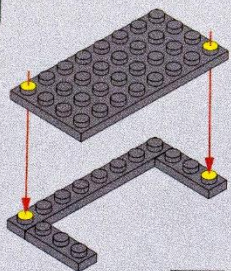
101



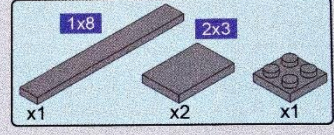
100



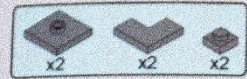
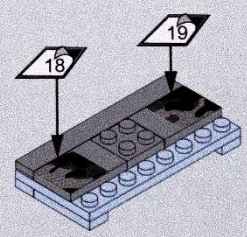
102



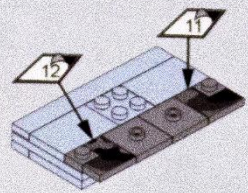
31



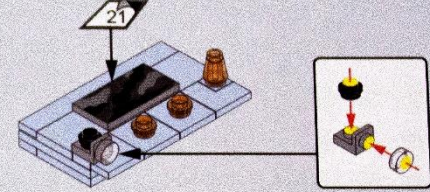
103



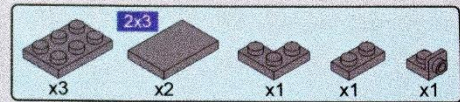
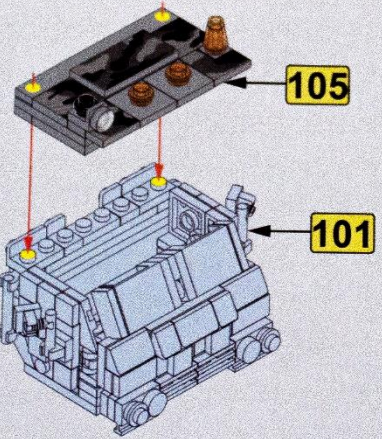
104



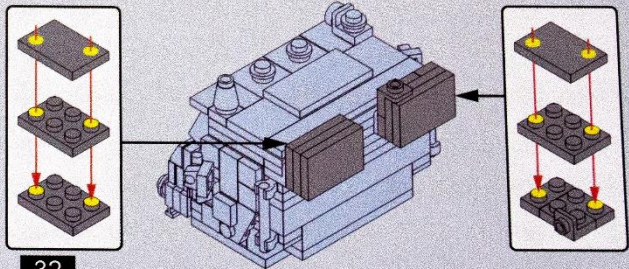
105



106



107



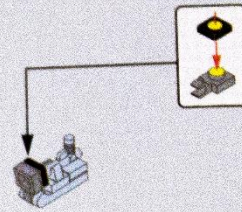
32



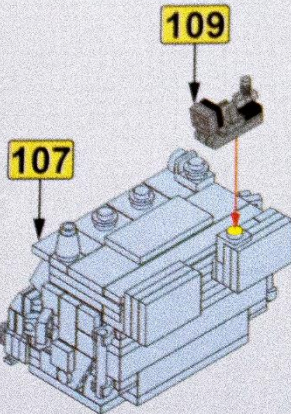
108



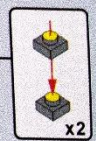
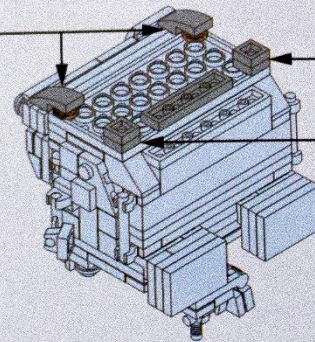
109



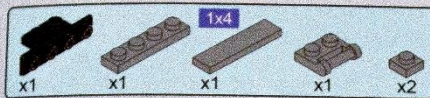
110



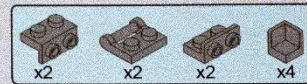
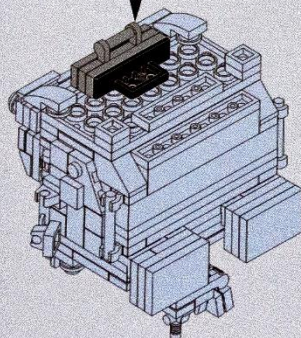
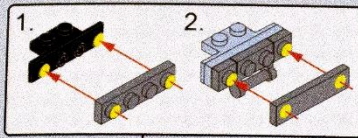
111



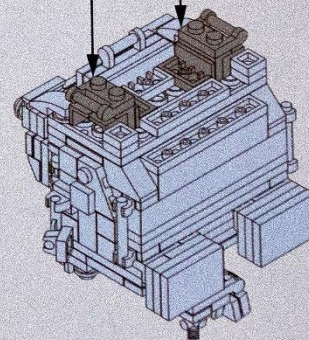
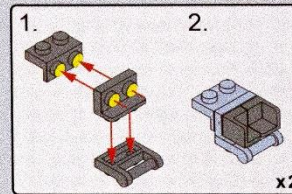
33



112

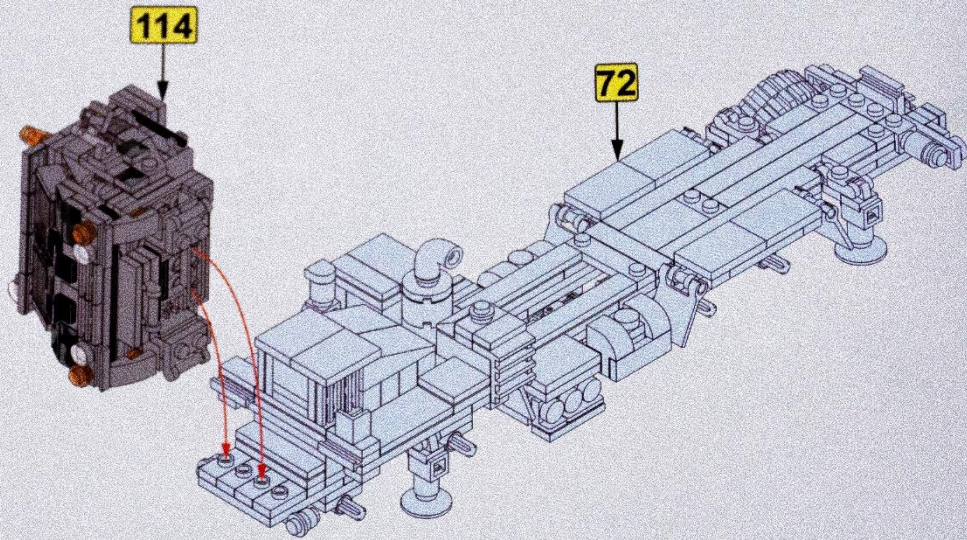


113

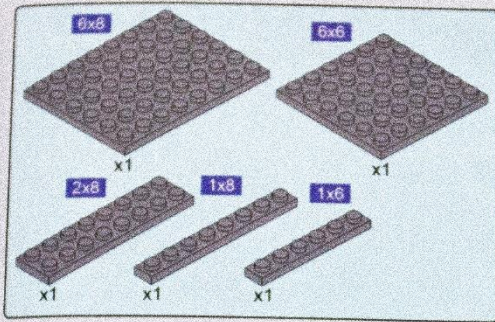


34

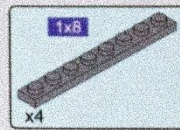
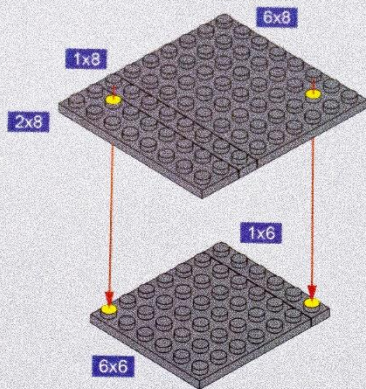
114



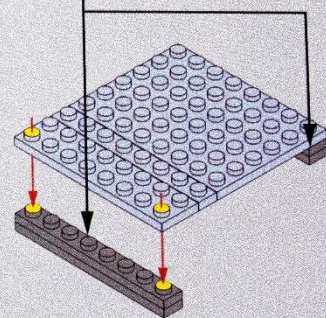
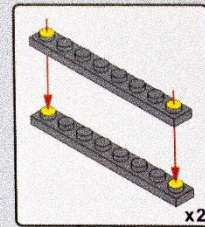
35



115



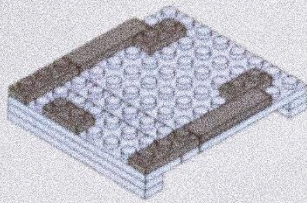
116



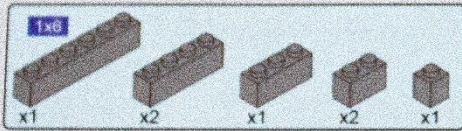
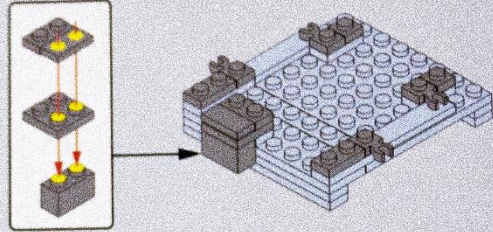
36



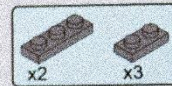
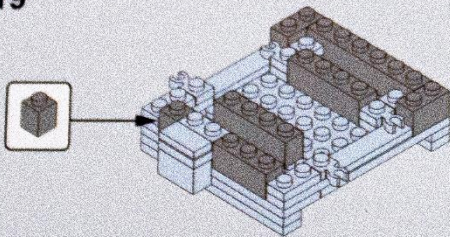
117



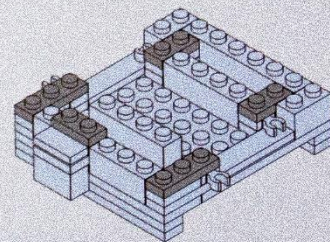
118



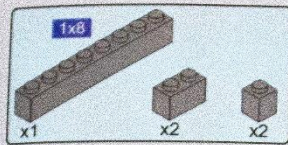
119



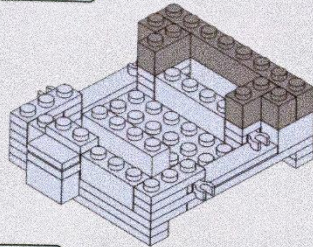
120



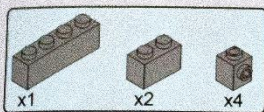
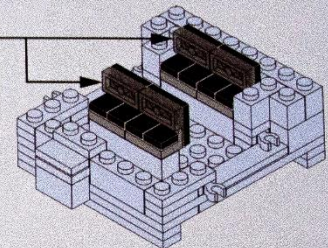
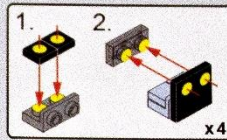
37



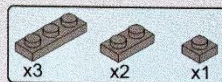
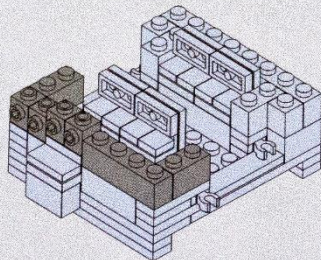
121



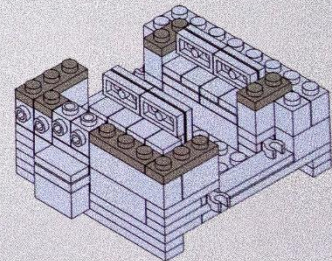
122



123



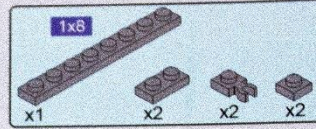
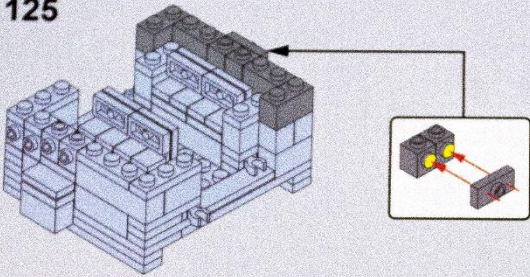
124



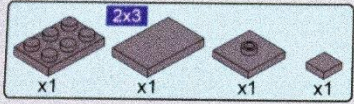
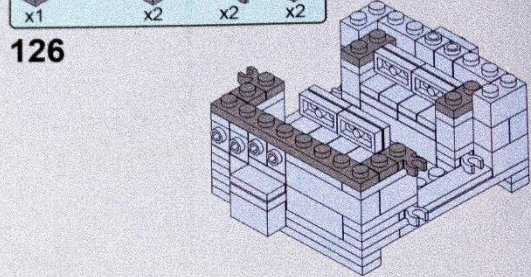
38



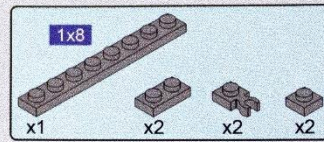
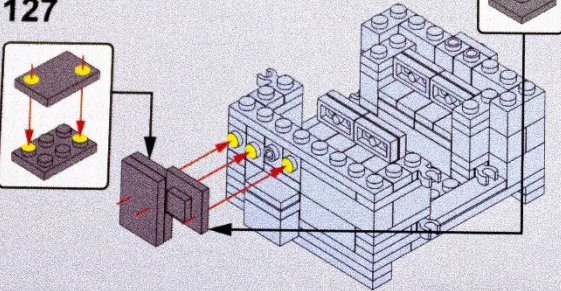
125



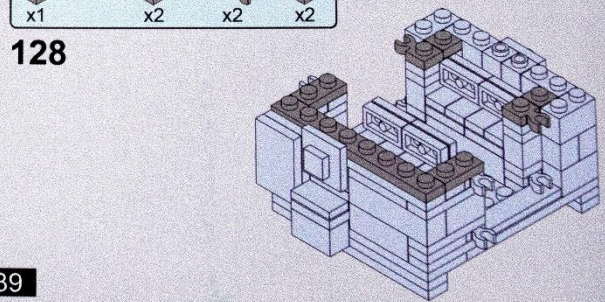
126



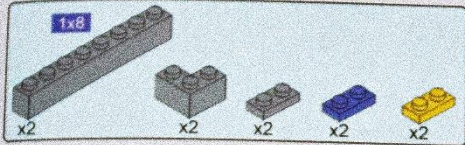
127



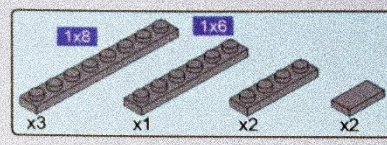
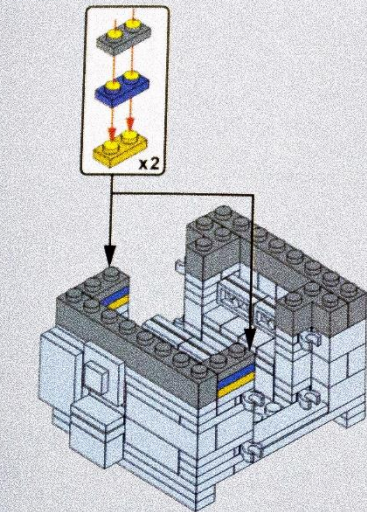
128



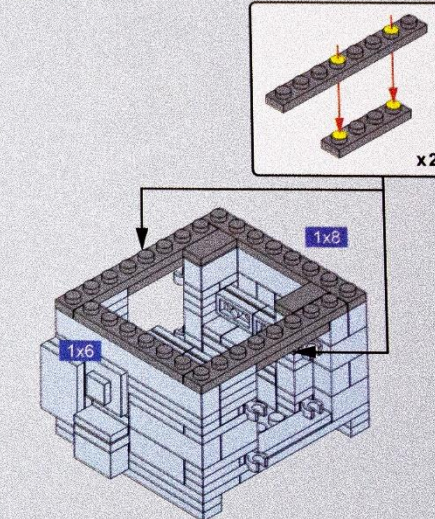
39



129



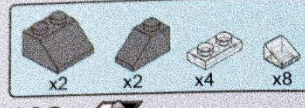
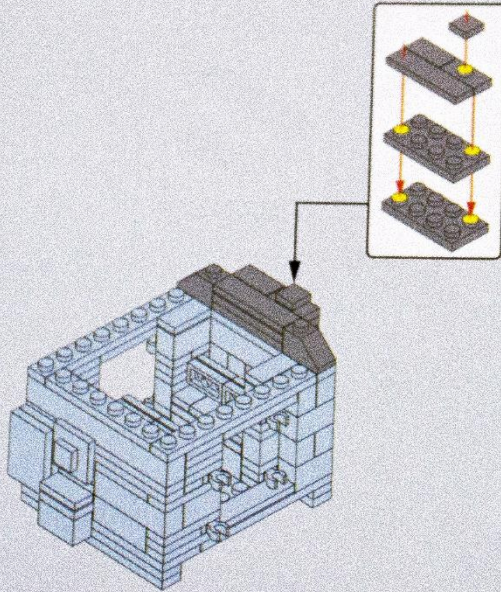
130



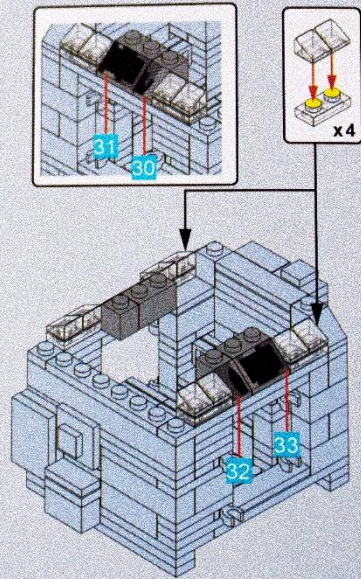
40



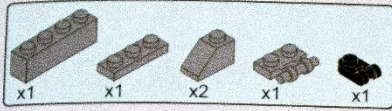
131



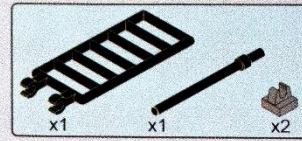
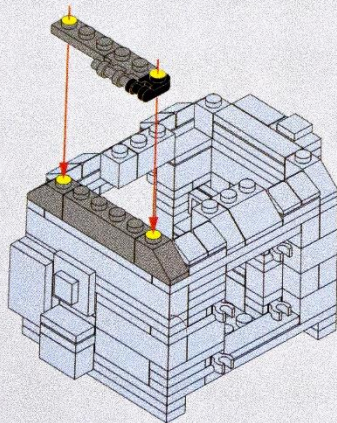
132



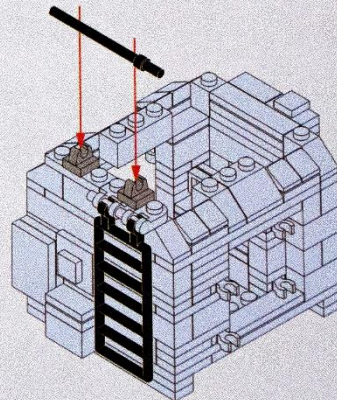
41



133



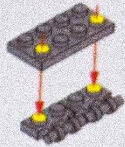
134



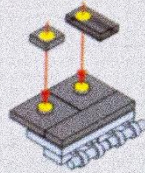
42



135

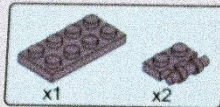
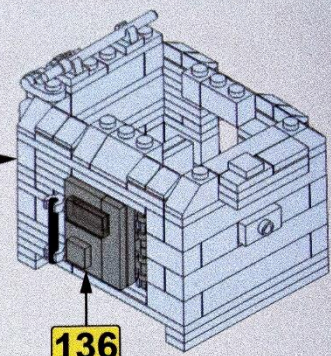


136

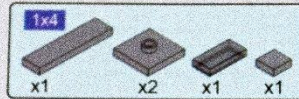
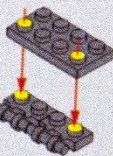


137

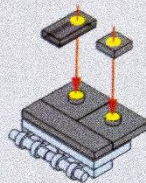
134



138



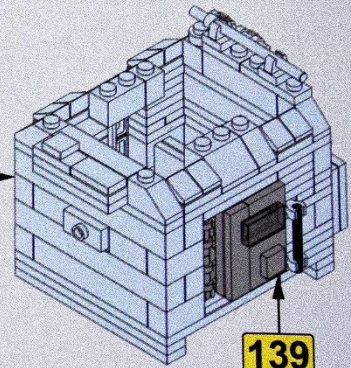
139



140

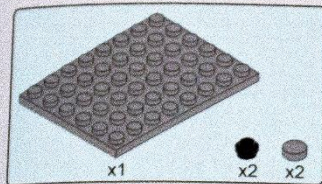


137

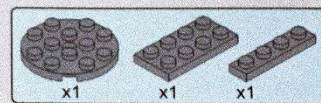
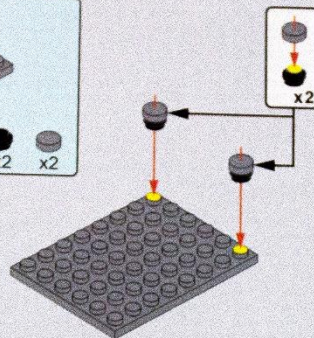


139

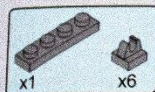
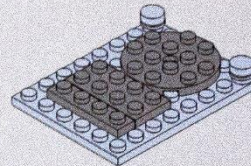
43



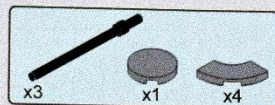
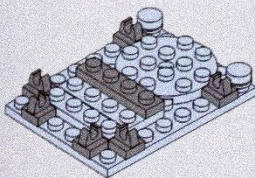
141



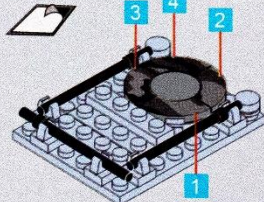
142



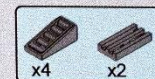
143



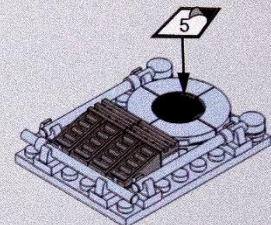
144



44

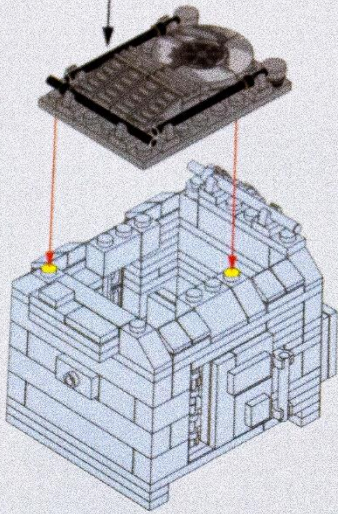


145

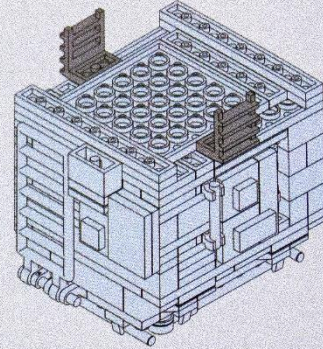


146

145



147

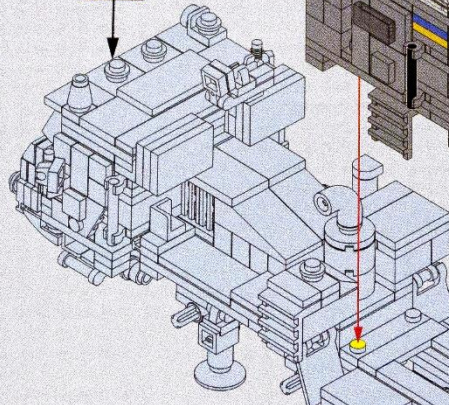


45

148



114

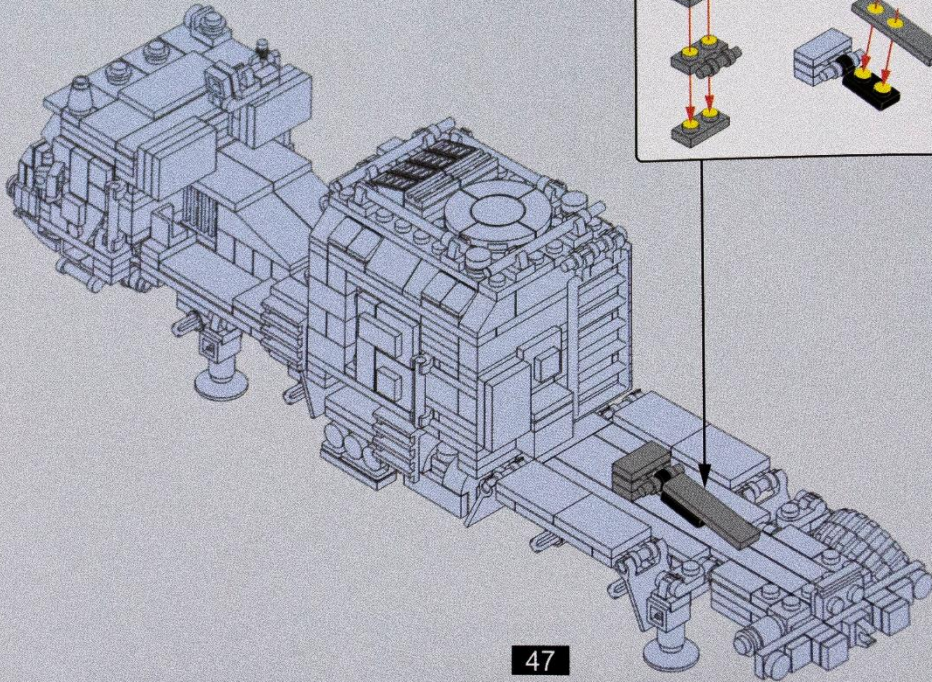


147

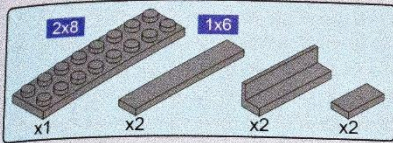
46



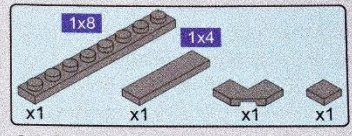
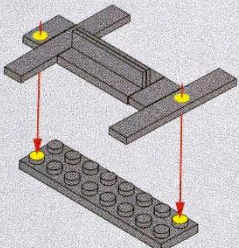
149



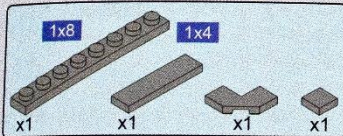
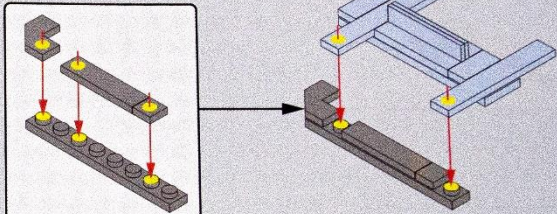
47



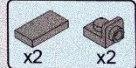
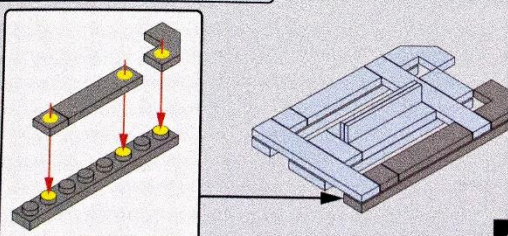
150



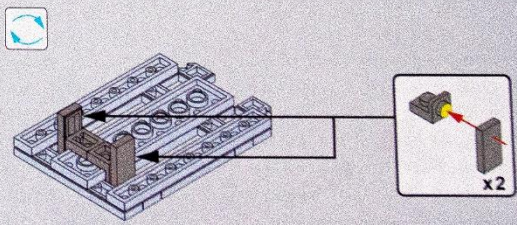
151



152



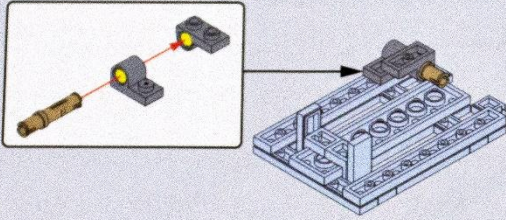
153



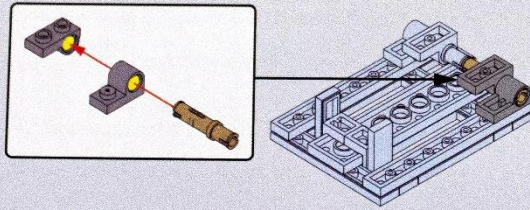
48



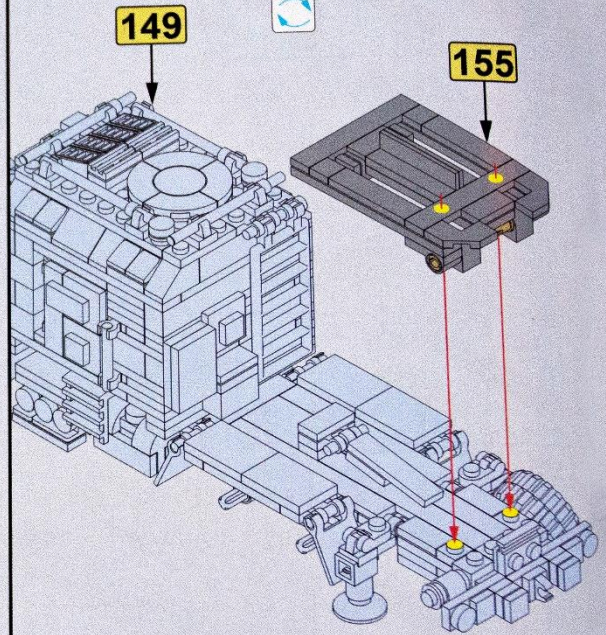
154



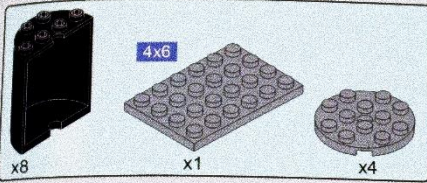
155



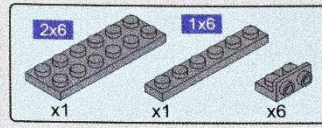
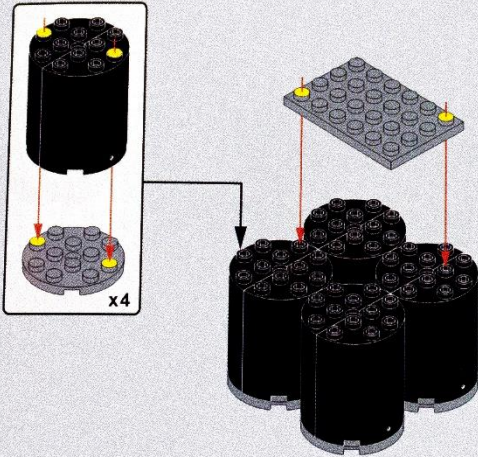
156



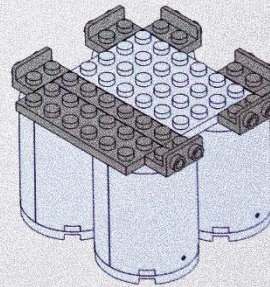
49



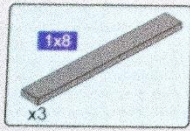
157



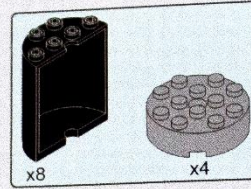
158



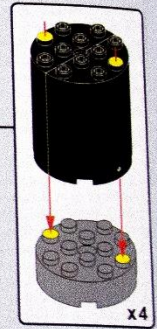
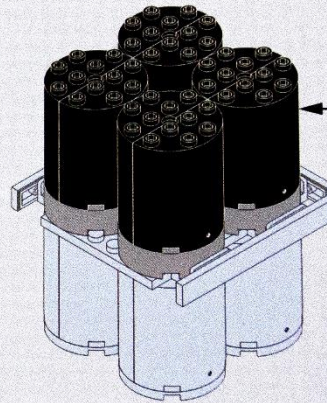
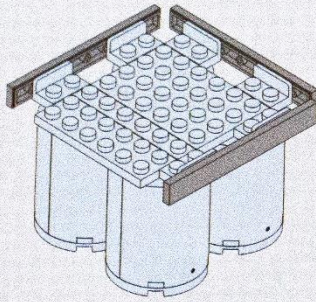
50



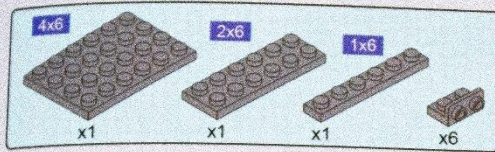
159



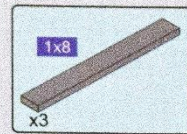
160



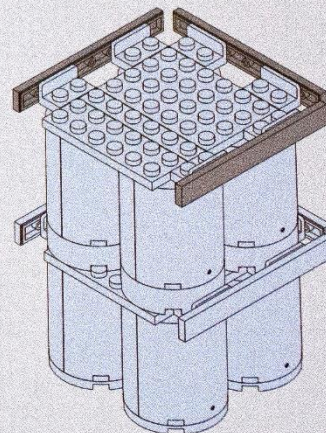
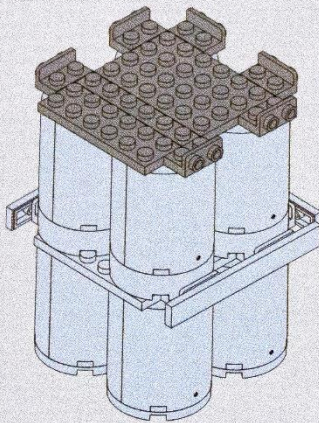
51



161



162



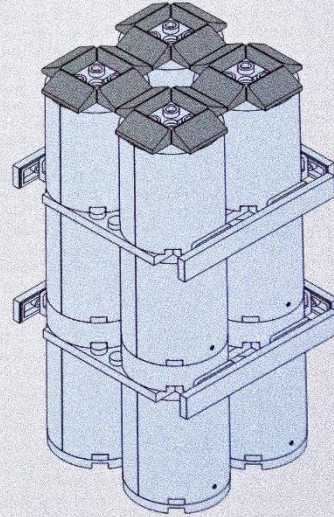
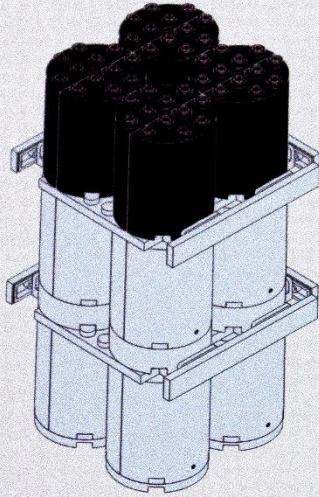
52



163



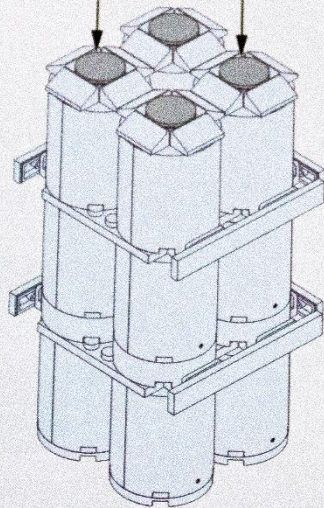
164



53



165

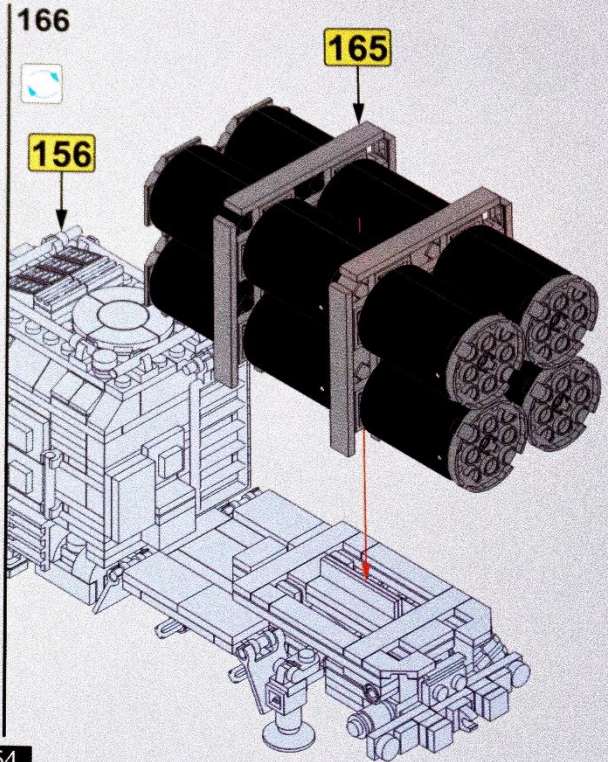


166

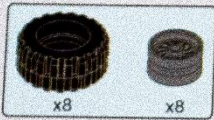


156

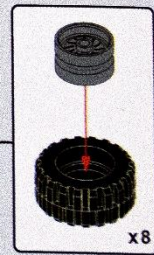
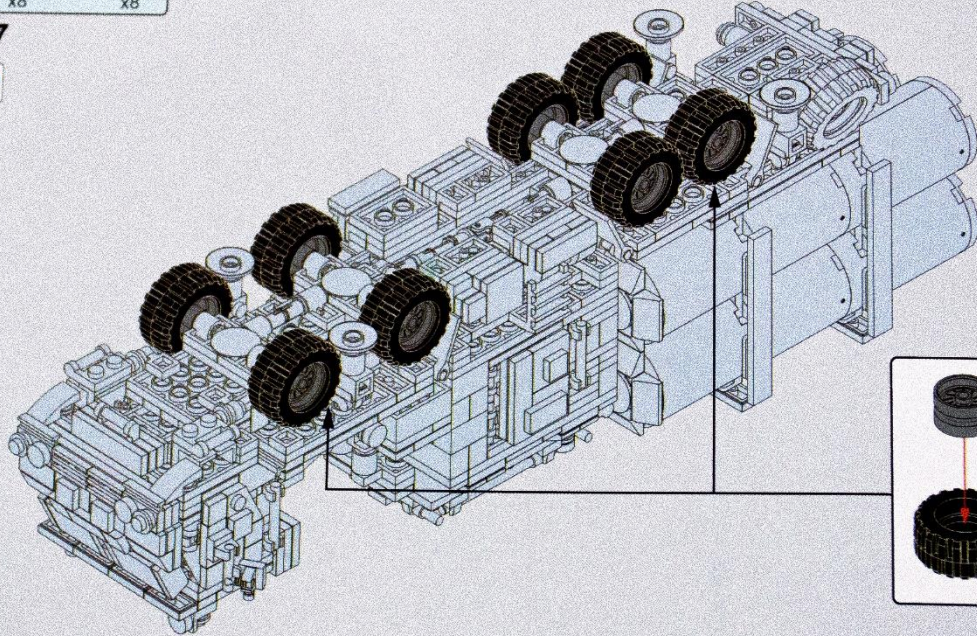
165



54



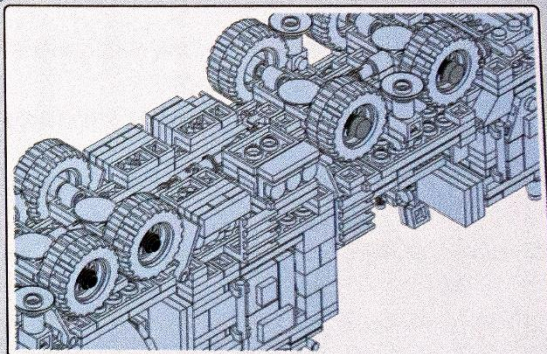
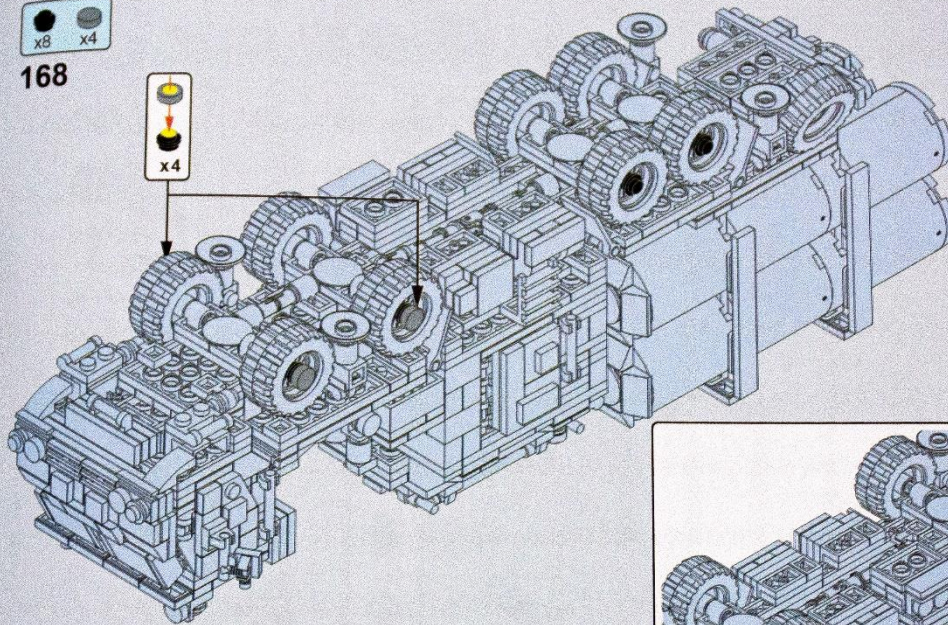
167



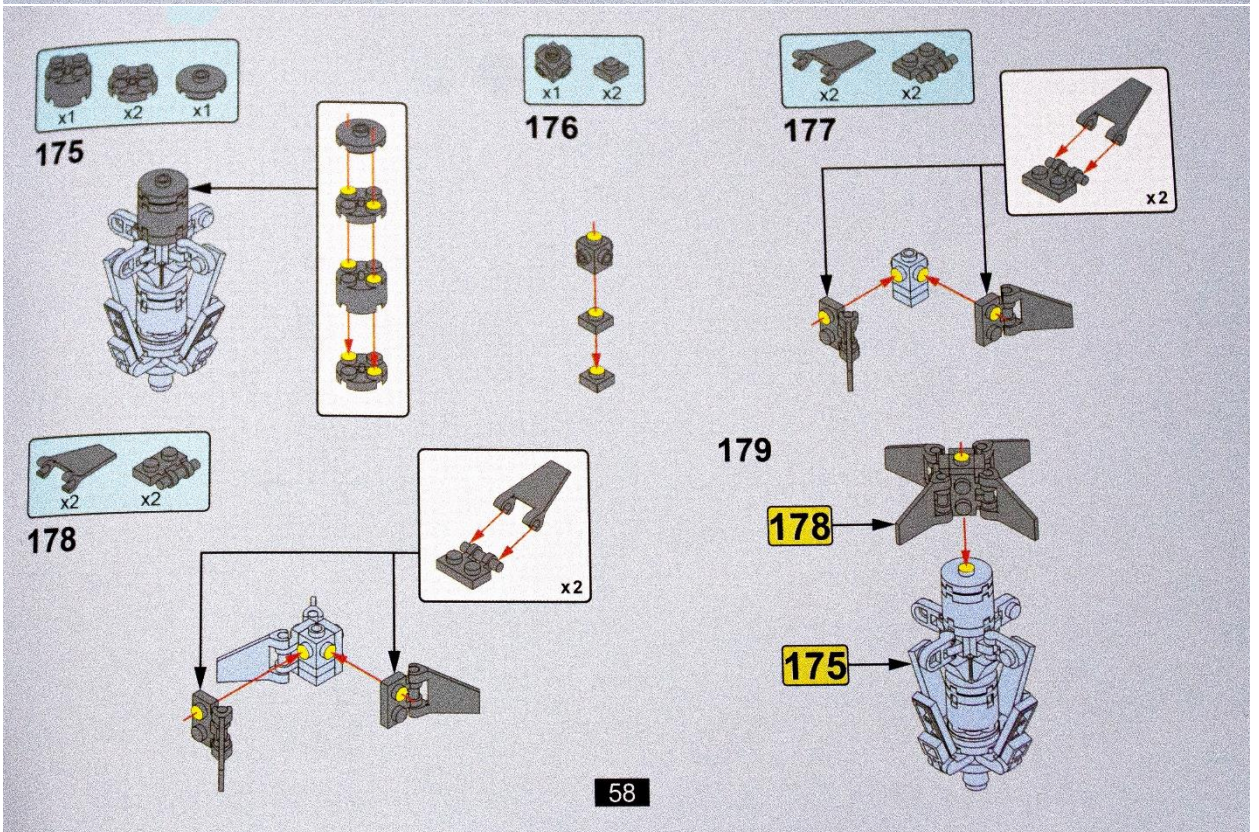
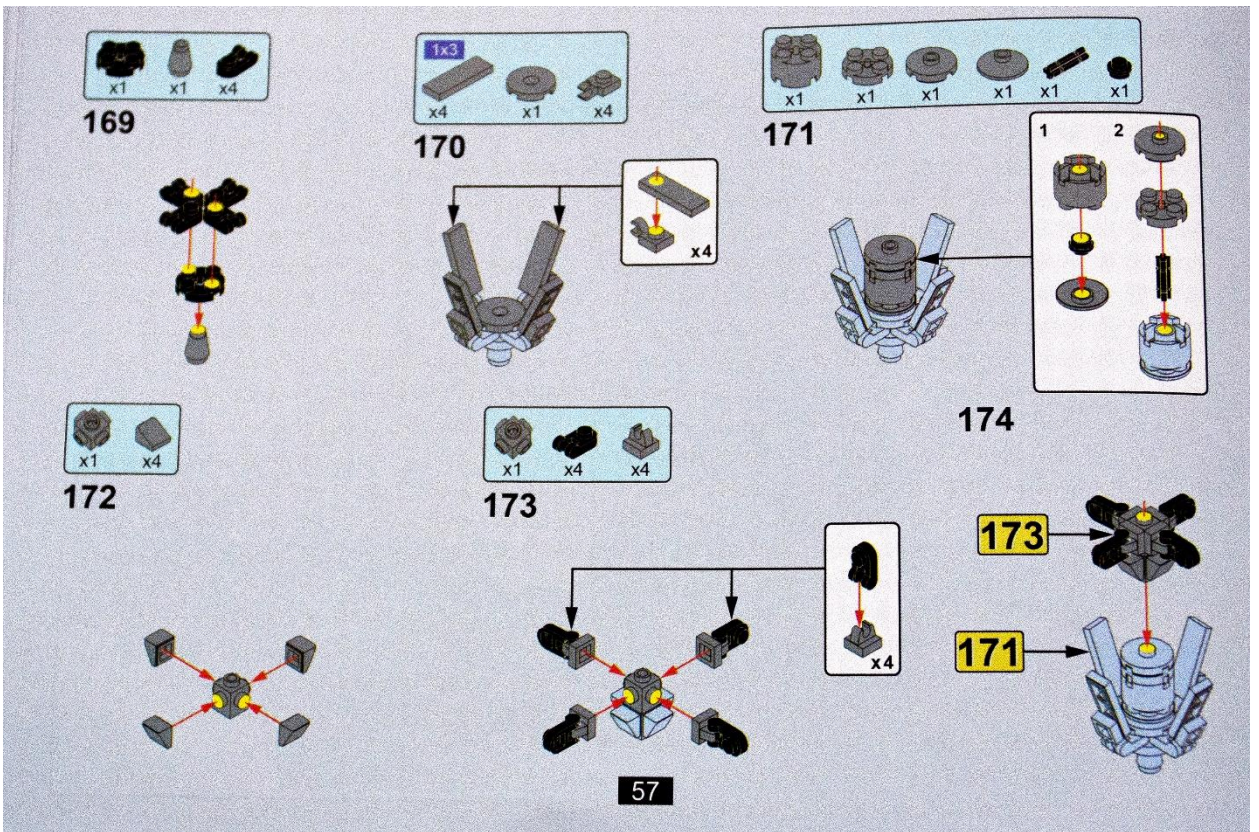
55



168

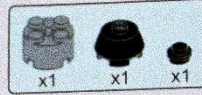


56

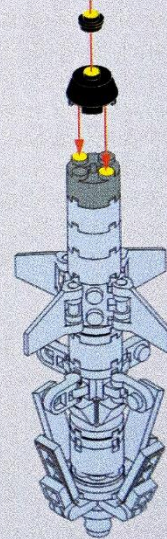
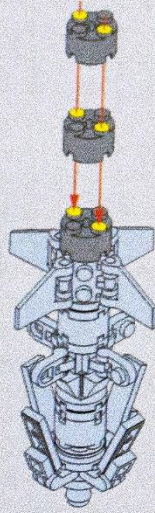




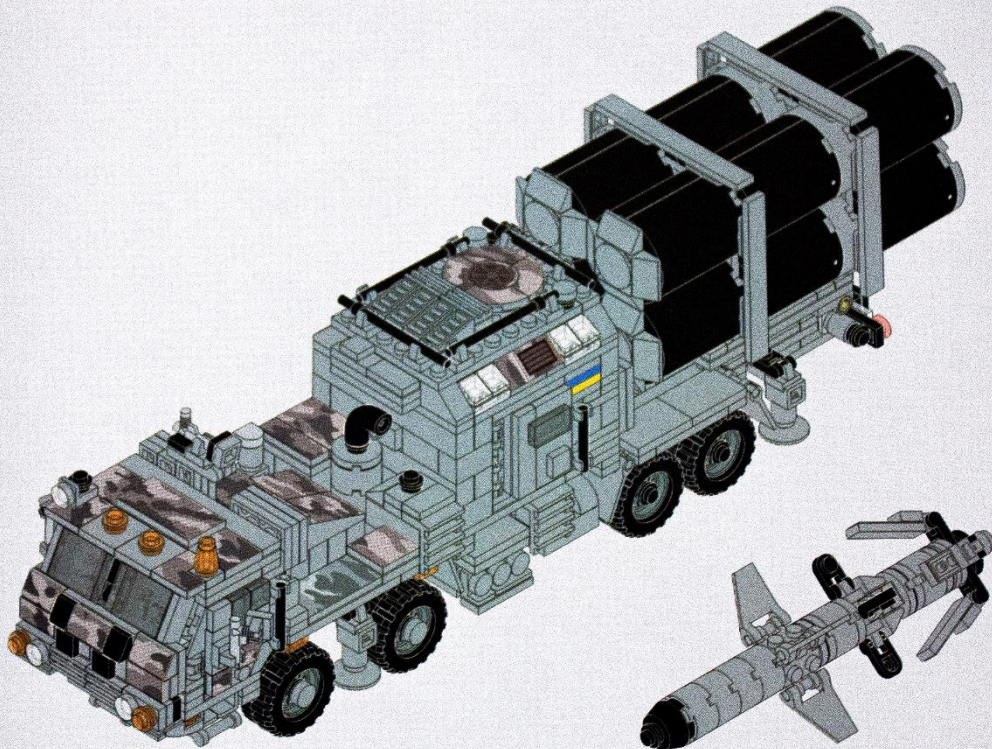
180



181



59



60